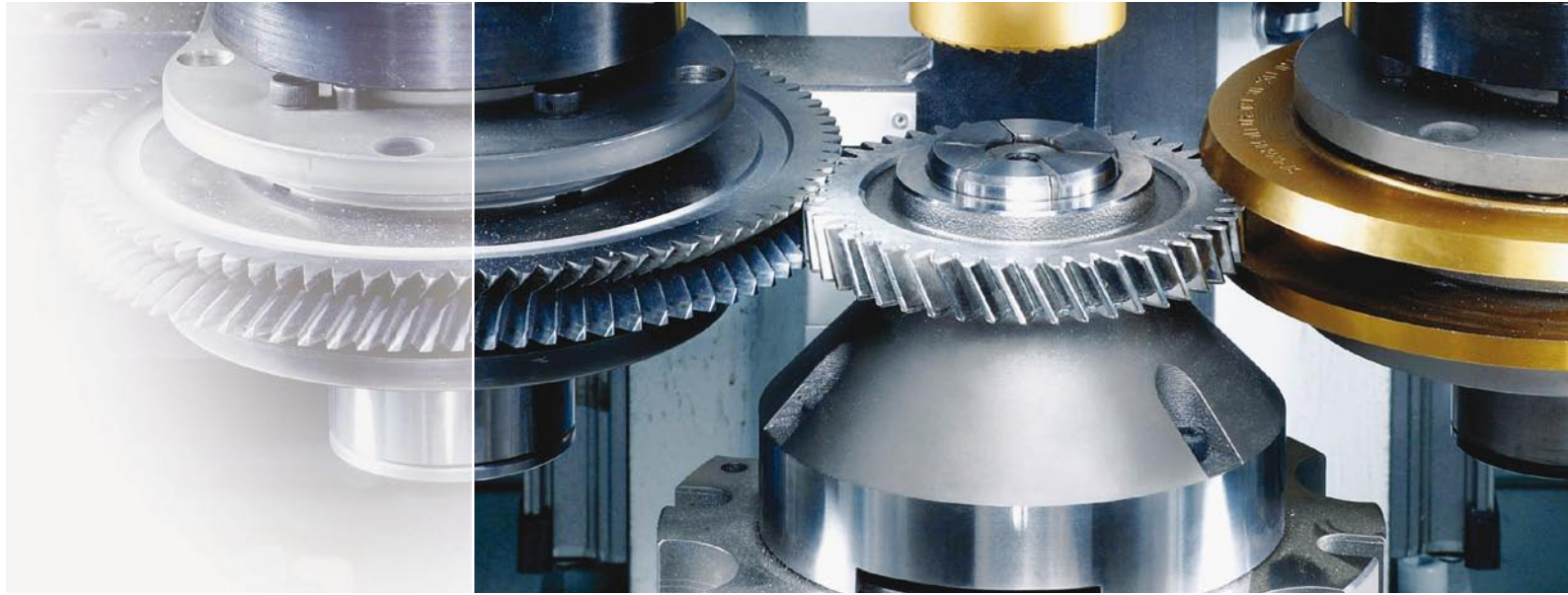


Gear Tooth Deburring Machine ZEM 300

The most compact solution for wet and dry deburring



ZEM 300

The Chamfer and Deburring-System for Precision and Efficiency

The ZEM series

For the chamfering and deburring of splines, gear wheels and shafts Wera Profilator presents the ZEM series gear deburring machine. The machine is economically deployed in medium to

large series production. The optimal modular system offers the user clear advantages over conventional deburring machines.



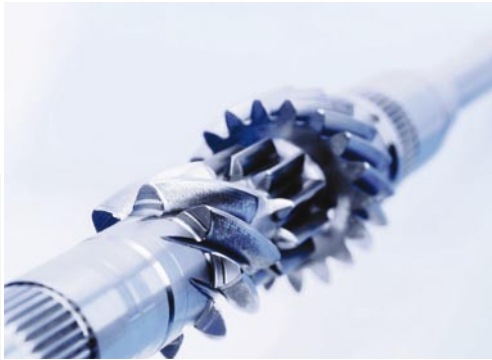
Advantages

Machine design

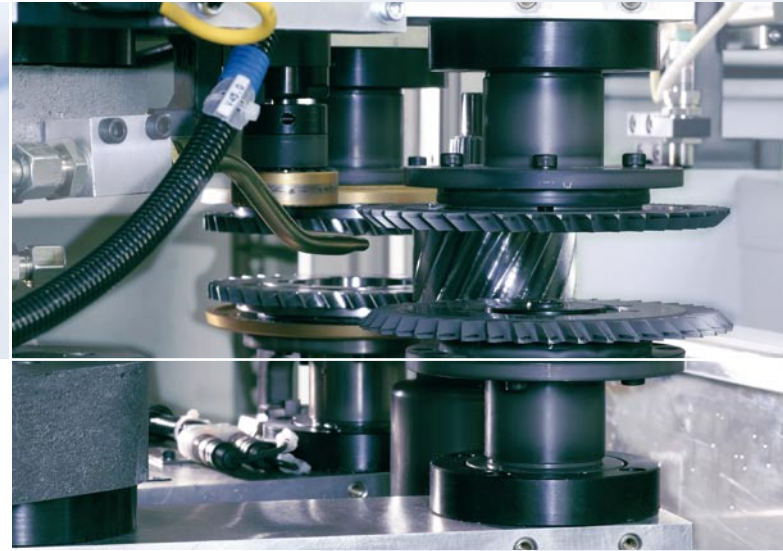
- Development of system solutions to your exact requirement
- Operator and maintenance friendly modular system
- Optimal access from 3 sides
- Quick set up and change over via quick change fixtures
- Vertical workpiece axis - better chip fall
- Exact adjustment of axis to 1/100 mm with ball screw drive and digital display
- Infinitely variable workpiece revolutions with servomotor technology



Machine design with swing loader and transport conveyor



Split tool acceptance for processing different width workpieces without tool change



Machine design for robot loading

Work room
Optimal accessibility for tool change and slide adjustment
Machine specification for robot loading





Main Criteria

Processes

- Shaft processing up to 800 mm length and a maximum of 4 gears
- Gearwheel processing up to 300 mm diameter
- Dry machining

Tools

- Chamferring, deburring and 'finishing' in one clamping
- Driven deburring wheels
- Compatible with all makes of tool

Handling

- Automation by integrated pick up or swing loader (according to requirement)

Technical Data

Gear Tooth Deburring Machine ZEM 300

Machine data

Floor layout	1.300 x 1.450 mm
Height	2.250 mm
Process height	1.100 mm
Workpiece	0 - 1.000 RPM
Weight approx.	1.700 kg
Tailstock stroke	80 mm
Tool swing arms	max. 4
Workpiece clamping	Automatic clamping device
Clamping force	max. 500 daN

Workpiece data

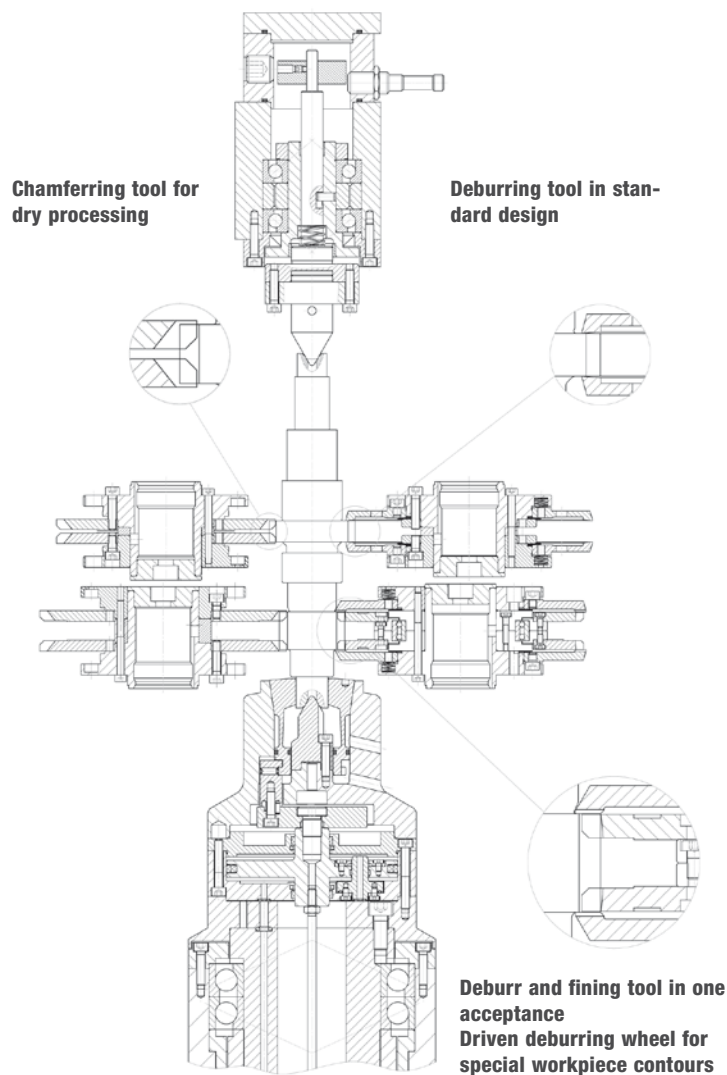
External diameter max	300 mm
Modul max	5
Gear width (wheels) max	100 mm
Workpiece length (Shafts) max	800 mm

Electrical equipment

Operating voltage	400 V
Control voltage	24 V CD
Frequency	50 Hz
Connected load	10,0 kVA
Drive motor workpiece	50 Nm
Coolant pump	1,6 kW
Control	Siemens S7-300
Operator Panel	Siemens OP 277-6" / PP17-I

Operating requirements

Operating pressure pneumatic	6 bar
Coolant tank	120 l



Profilator GmbH & Co. KG
Maschinenbau

Postfach 14 41 22
D-42310 Wuppertal
Buchenhofener Straße 35
D-42329 Wuppertal

Telefon: +49 202 27 88-0
Telefax: +49 202 27 88-100
Internet: www.profilator.de
E-Mail: info@profilator.de
Certificated acc. to DIN EN ISO 9001